

Commanding Performance, Compelling Value

Sound that makes performances and audiences truly come alive doesn't come easy. But CF/CFX Series loudspeakers put the power of unique Renkus-Heinz developments like Complex Conic horns to work for you. Versatile enclosure designs, go-anywhere hardware and rugged construction help solve your sound reinforcement challenges easily and quickly. Advanced options like intelligent onboard amplification and RHAON — the Renkus-Heinz Audio Operations Network — help you build sophisticated sound systems that are easy to use.

CF12S and CFX12S subwoofers were developed as companion pieces to full range CF / CFX series loudspeakers. They provide the high impact sub bass energy needed in many venues and also serve as a mounting base for the loudspeakers.

Applications

- Virtually any application where high-output, low frequency content is required

Permanent Installations

- High quality music/speech systems and surround systems for houses of worship, schools, performing art centers, night clubs, etc.

Portable Applications

- Live music reinforcement, DJ systems, houses of worship, schools, etc.



PF Series Intelligent Amplifiers

Passive, powered or networked, you can choose the system configuration that meets your needs at any time. At the factory or in the field, the CFX passive connector plate can be easily replaced by a PF1 Series intelligent Class D digital amplifier. The lightweight switching power supply used in the PF1 series is over 70% efficient at full output. Their high efficiency reduces AC power requirements and eliminates the need for a cooling fan.



Whenever you are ready for Ethernet audio networking, your CF/CFX loudspeakers are too; just replace the connector plate with a RHAON empowered PF1-500R amplifier equipped for connection to the Renkus-Heinz Audio Operations Network. RHAON empowers you with full control over digital audio distribution, loudspeaker-specific DSP and control/monitoring — all using standard Ethernet hardware and cabling.

If you need an outstanding high-power 12-inch subwoofer, order the CFX12S, CFX12S-8 or CF12S-5. If you need Ethernet-based audio operations networking, order the CF12S-5R.

CF / CFX Series

CF12S-5

Self-Powered

CF12S-5R

RHAON Empowered

CFX12S

Non-Powered

CFX12S-8

Non-Powered

12" Subwoofers

PASSIVE : POWERED : NETWORKED



• Powerful 12" Subwoofers

Outstanding 40 Hz to 120 Hz, 127 dB peak SPL sub-bass performance.

• Flexible Input Configurations

Choose passive inputs, or go self-powered with the PF1 series intelligent amplifiers, with or without RHAON networking.

• RHAON Renkus-Heinz Audio Operations Network

All self-powered CF12S series subwoofers are available with RHAON for flexible digital signal distribution, loudspeaker management and control.

• High Performance, High Power Woofers

With long-throw magnetic structures easily handle 500 Watts of program power.

• Built-In Low Pass Filter

May be bypassed to allow use of an external electronic crossover.

TECHNICAL INFORMATION

Sensitivity
CF12S-5 & -5R: 1.0 V for RPO
CFX12S & CFX12S-8: 97 dB (1W/1m)

Max SPL: 127 dB peak
Freq. Resp: 40 Hz to 120 Hz

LF Driver
CF12S & CFX12S: 12" woofer, model SSL12-21;
 250 W RMS @ 4 Ohms, 500 W pgm
CFX12S-8: 12" woofer, model SSL12-23;
 250 W RMS @ 8 Ohms, 500 W pgm

Enclosure: 13-ply hardwood, perforated metal grille

Finish: Black; white or custom color optional

WR OPTION: WR Weather resistant treatment optional:
 provides fiberglass/gel coat finish, Nickel plated
 steel grille and 8 foot pigtails; custom colors and
 stainless steel grille available.

Power
CF12S-5 & -5R: 115 V AC or 230V AC
CFX12S: 500 W pgm at 4 Ohms
CFX12S-8: 500 W pgm at 8 Ohms

Connectors
CF12S-5 & -5R: See amplifier specifications
CFX12S & CFX12S-8: Screw terminals & looping 4-pin Neutrik
 SpeakOn style connectors

Hardware: 12-point univ. mtg. hdw. (Metric M10 threads)
 35 mm (1 3/8") diameter tripod socket
 Handles

Dimensions: 23 1/8" H x 15" W x 17 1/4" D
 (58.7 cm x 38.1 cm x 43.8 cm)

Weight
CF12S-5, & -5R: 55 Lbs (25 Kg) net
CFX12S & CFX12S-8: 50 Lbs (22.7 Kg) net

PF1-500 DIGITAL AMPLIFIER

Power: 500 W RMS @ 4 Ohms
Freq. Resp: +0.0, -5 dB, 20 Hz to 20 kHz
THD Distortion: < 0.02% typical
Hum & Noise: <100 dB (A weighted)
Damping: >100
Input: 10K Ohm balanced differential
Sensitivity: 1.0 V for RPO
CMR: 74 dB

Controls: Gain (screwdriver adjustable)
Power Connector: IEC Power connector
Input: Looping XLR; female in, male out
 (pin 1 chassis, pin 2 +, pin 3 -)
Power Switchable, 115 or 230 V AC, 50/60 Hz
 5 A @ 120 V, 2.5 A @ 240 V
 Idle current: 400 ma @120 V; 200 ma @
 240 V
 Max inrush current: 1 A

PF1-500R RHAON EMPOWERED AMPLIFIER

The PF1-500R is identical to the PF1-500 except for the addition of the RHAON Network Interface; additional capabilities include:

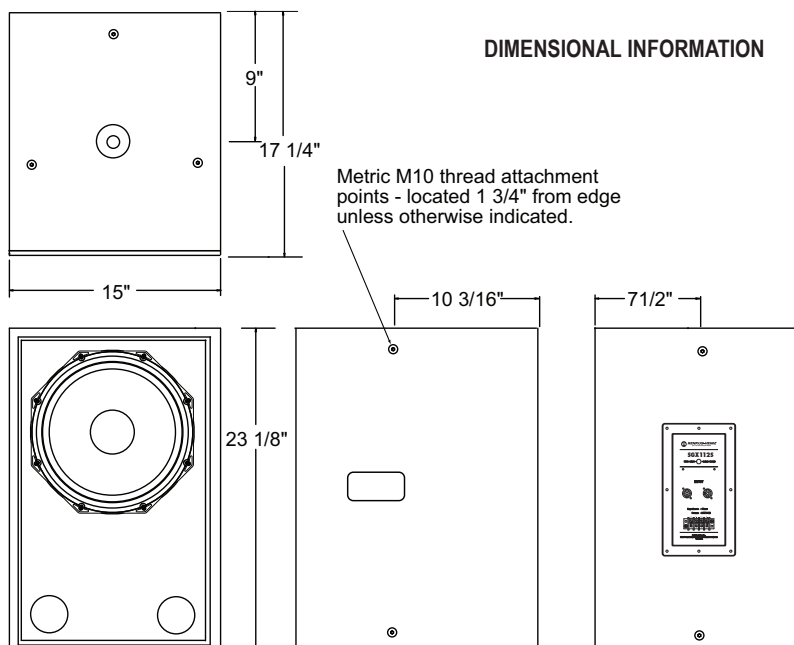
Inputs: CobraNet: Dual RJ45 connectors; accept
 Cat 5 copper cable.
 AES/EBU: Phoenix connectors;
 Analog: Phoenix connectors
Digital Format: 16, 20 or 24 bit PCM; 48 or 96 kHz sample
 rate; selectable Network Latency.

Protection: Soft & Peak limiting, Excursion Control &
 Thermal Regulation

For additional details on the RHAON Audio Operations Network, refer to
www.renkus-heinz.com/Rhaon/Index.html.

Note: All analog inputs and outputs comply with AES Standard 48-2005 on interconnecting, grounding and shielding.

DIMENSIONAL INFORMATION



Note:

The UMH (Universal Mounting Hardware) attachment points have Metric M10 threads and are positioned 1 3/4" from the edges unless otherwise indicated.

The rear view of a CFX12S is shown. The enclosure is shown without its metal grille.

For more detailed dimensional information, please refer to the 2D and 3D drawing files on our website, www.renkus-heinz.com