

ImageCue

ImageCue





Introduction

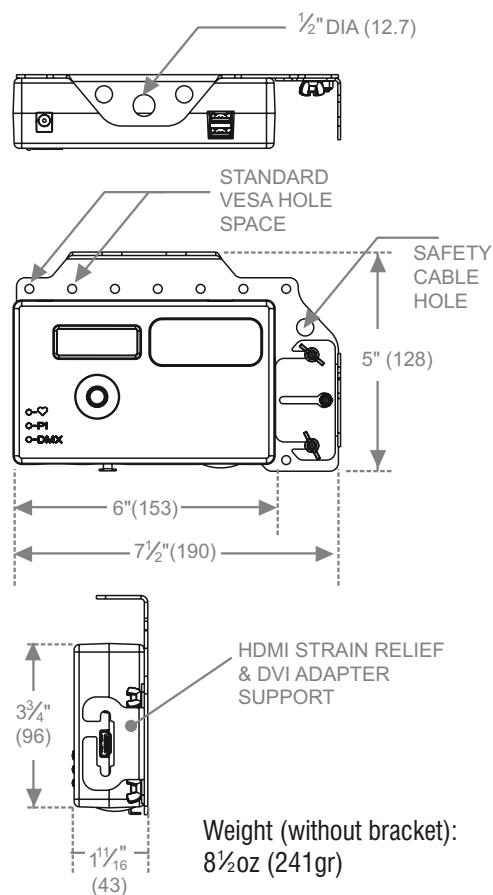
ImageCue™ is a compact, easy to use image server that provides control of high definition still images and videos with only twelve channels of DMX512. Each **ImageCue™** includes a library of 255 images and videos. In addition, users can supply their own images and videos using a USB flash drive or external hard drive to provide access to over 65,000 image and video files.

ImageCue™ is fast - images and videos are selected and displayed/played in less than a quarter of a second. You can instantly “bump” from image to image, image to video, video to video, or video to image. Still images can also be crossfaded - with crossfade times of ½ second to 109 minutes in 1/10 second increments.

ImageCue™ accepts JPEG files for still images, and H264 (AVI) video files. PNG files with transparency can be overlaid onto images and videos. A software utility to convert user content to H264 is available for the following video file types: MOV, MP4, AVI, MPEG, and VOB.

ImageCue™ gives the user full RGB mixing control of the background, and the color mixing can also be used in the foreground to tint images and videos. Full dimming control is provided for the output. **ImageCue™** provides the power and elegance to select and display images and videos from your DMX512 lighting console, without the complexity of a media server.

Mechanical



Processing

CPU:	900MHz Quad Core ARM Cortex-A7 CPU
Graphics:	VideoCore IV GPU
Memory:	1GB RAM
NV Memory:	16GB micro SD card ¹
OS:	Custom Linux Kernel ¹
USB:	2 USB Ports for USB Flash Drive or External Hard Drive ONLY
Video:	High Definition 1920 x 1080p via HDMI connector (default) ²
LCD Display:	2 rows x 16 alpha numeric characters
Navigation:	5 way navigation (up, down, left, right, press to select)

¹ **WARNING:** Do not attempt to use the **ImageCue™** SD card with a Raspberry Pi without the **ImageCue™** PCB. Likewise you should not attempt to use a SD card with an operating system for a Raspberry Pi (Raspbian, Pidora, OpenELEC, OSMC, ArchLinux, RISC OS, etc) in **ImageCue™**. In either case, permanent damage not covered by the warranty may occur to a Raspberry Pi or **ImageCue™**.

² HDMI to DVI adapter included with every unit. Other menu selectable resolutions available.

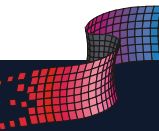
Operating Parameters

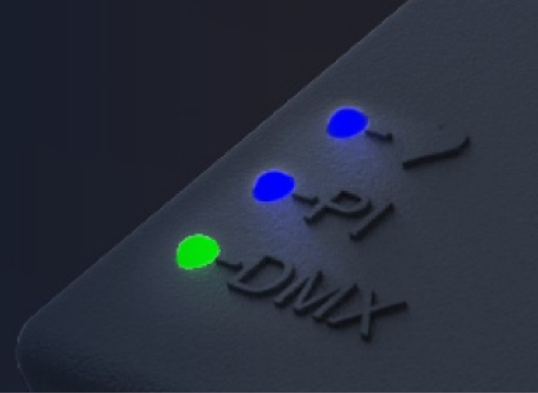
Compliances:	FCC, CE
Operating Temperature:	0°C - 49°C (32°F - 120°F)
Humidity:	5% - 95% (non-condensing)
Control:	DMX512A ANSI E1.11 – 2008 (R2013) RDM ANSI E1.20 - 2010
DMX512 Footprint:	12 Channels
DMX512 Connectors:	5-pin Male and 5-pin Female XLR type
DMX512 Isolation:	ISOLATED 2500 VRMS
DMX512 Termination:	User supplied termination
Input Voltage:	5VDC (regulated) @ 3A (15W)
External Power Supply:	Triad #WSU050-3000 (North America) File E345519 EMI standard: FCC part 15 class B Over voltage and short circuit protected
Stock Images:	205 - Still images (JPEG) ³ 50 - HD videos (H264) ³ 50 - Overlay images (PNG) ³

³ NOTICE: All images and videos are copyright 2015 Breckinridge Design LLC

ImageCue™ DMX Profile 1

Chan	Parameter	Description	DMX Value	Default Value
1	Dimmer	Output intensity from blackout (0) to full intensity (255)	0 - 255	255
2	Image Source Folder	Stock JPEG and H264 Video	0	0
		User Folder /imagecue001	1	
		User Folders /imagecue002 - 255	2 - 255	
3	Image Select	No Selection (OPEN)	0	0
		First Image File (001)	1	
		Additional Image Files (002 - 255)	2 - 255	
4	Fade Time	Fade Time - Coarse (25.6 sec per step)	0 - 255	0
5		Fade Time - Fine (0.1 sec per step)	0 - 255	0
6	Color	Red saturation from none (0) to full saturation (255)	0 - 255	255
7		Green saturation from none (0) to full saturation (255)	0 - 255	255
8		Blue saturation from none (0) to full saturation (255)	0 - 255	255
9		Master Color Saturation from none (0) to full saturation (opaque) (255)	0 - 255	0
10	Mode Control	No Control Mode Selected	0	0
		Future Control Modes	1 - 63	
		Color in front of image	64	
		Future Control Modes	65 - 127	
		Video play once and exit	128	
		Future Control Modes	129 - 191	
		Color in front & Video play once	192	
Future Control Modes	193 - 255			
11	Overlay Select	No Selection (OPEN)	0	0
		First User Overlay File (001)	1	
		Add'l User Overlay Files (002 - 200)	2 - 200	
		First Stock Overlay File (201)	201	
		Add'l Stock Overlay Files (202 - 255)	202 - 255	
12	Overlay Opacity	Opacity of Overlay Image from transparent (0) to opaque (255)	0 - 225	255





Menu Structure

Main Menu	Level 1	Level 2	Value/Display	Remarks	
Setup Menu	DMX Setup	Start Channel	1 - 501	current setting adjustable	
		Personality	1 - 4	current setting adjustable	
		Done	---	up one level	
	Display	Backlight		0 - 100	current setting adjustable
			LEDs	ON - OFF	current setting adjustable
		HDMI Resolution		1920x1080	Only 1 may be selected
				1280x720	
				1280x800	
				1280x1024	
				800x600	
				OPT 1	
			OPT 2		
			OPT 3		
		Done	---	up one level	
	Info	Serial Number	16 characters	display value only	
		EEPROM SN	16 characters	display value only	
		Raspberry Pi SN	16 characters	display value only	
		Firmware Version	16 characters	display value only	
		Done	---	up one level	
	Exit	---	---	Exit menu system	

Sales and support



www.actlighting.com
A.C.T. Lighting Inc.

Los Angeles 818.707.0884	Toronto 416.907.6770	New York 201.996.0884
-----------------------------	-------------------------	--------------------------

sales@actlighting.com
support@actlighting.com

Designed and manufactured by

ImageCue™ LLC
 PO Box 3585
 Running Springs, CA 92382-3585
(909) 324-4004
<http://imagecue.lighting>

